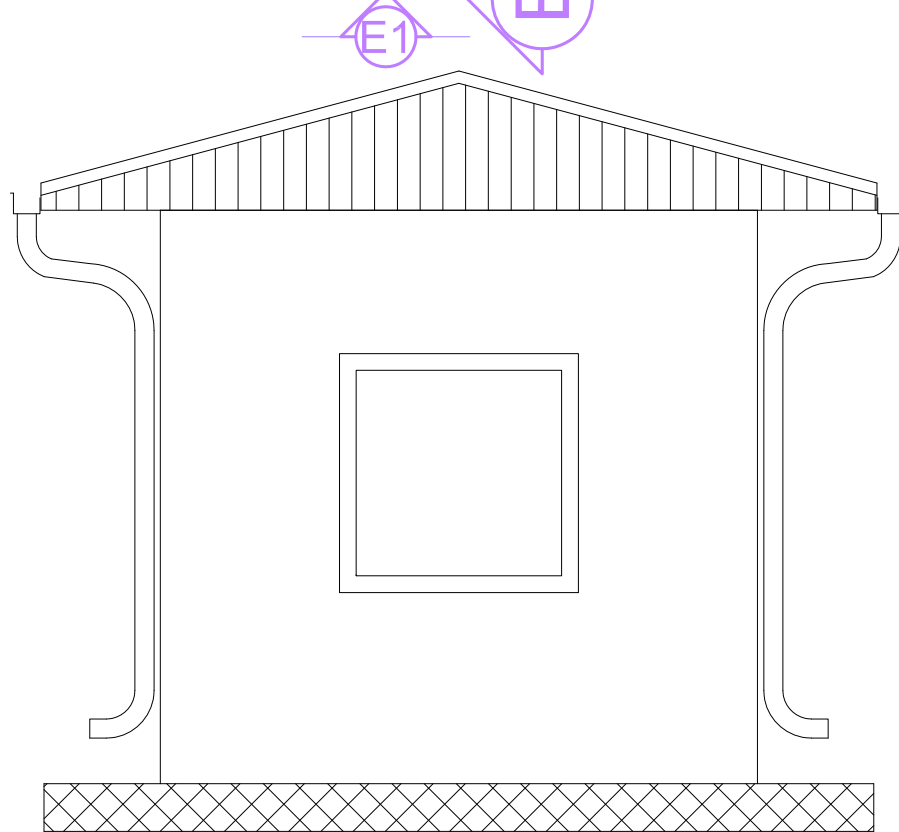
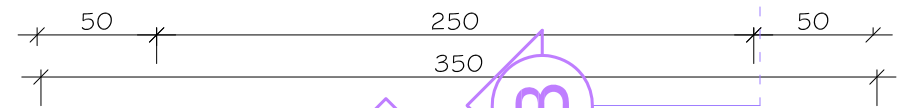
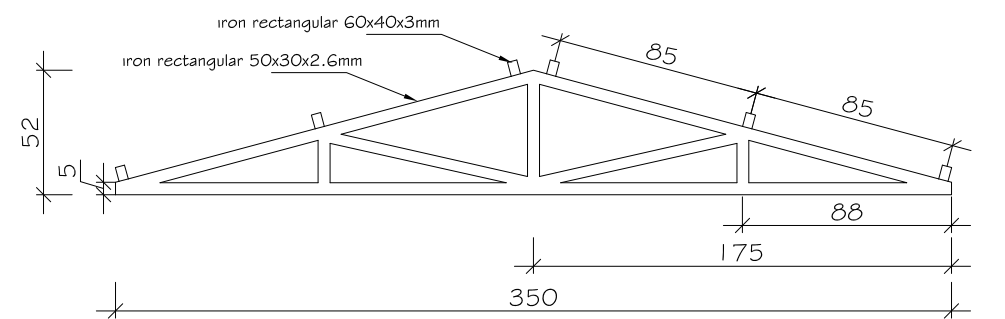


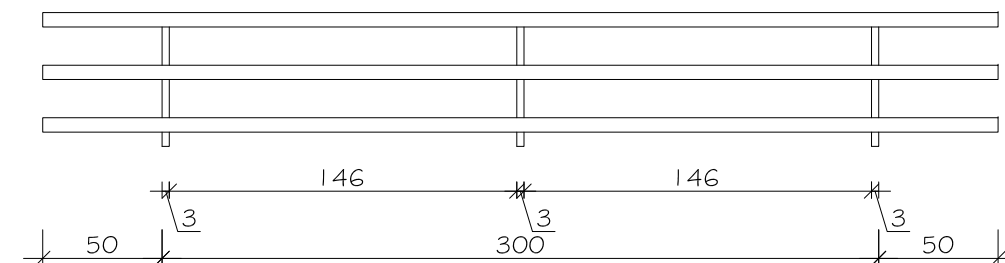
roof structure 3d view



E1



AA



BB

|                       |  |
|-----------------------|--|
| <b>PROJECT TITLE:</b> | <br>roof cover for guardhouse |
| <b>LOCATION:</b>      | PRISHTINA  |
| <b>DRAWING TITLE:</b> | ROOF COVER - MODEL I   |

|              |               |
|--------------|---------------|
| APPROVED BY: |               |
| CHECKED BY:  |               |
| DESIGNED BY: | EULEX-BMS     |
| SCALE:       | nts           |
| UNITS        | cm            |
| DRAWING NO:  | A-01          |
| DATE:        | December 2013 |

FORMAT  
A3